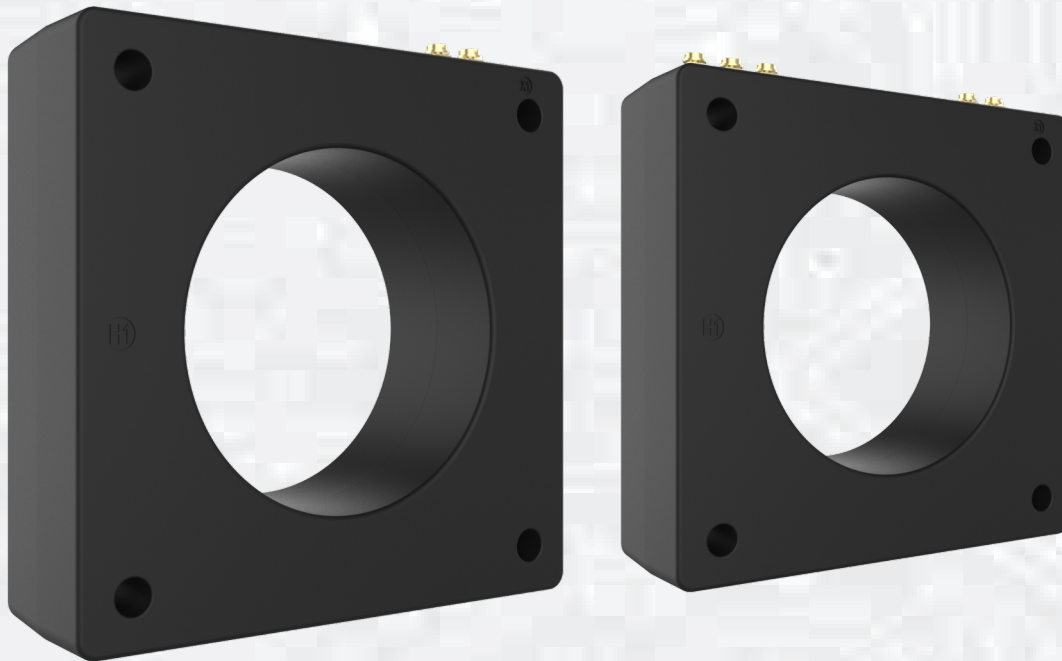




Technical Data Sheet

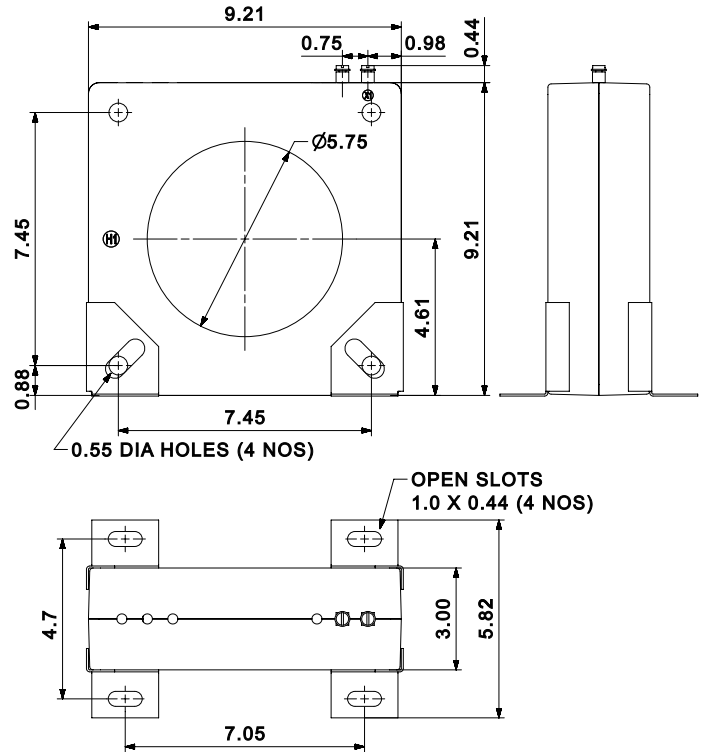
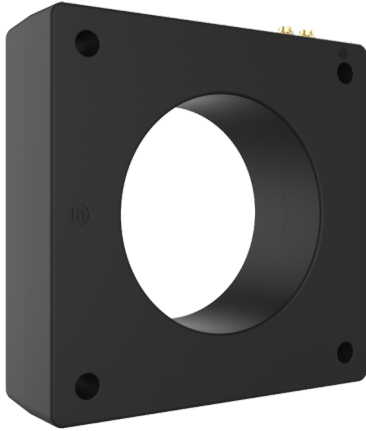
*Omega ANSI
Current Transformer Series*



*Omega 30
135ASHT, 135AMR*

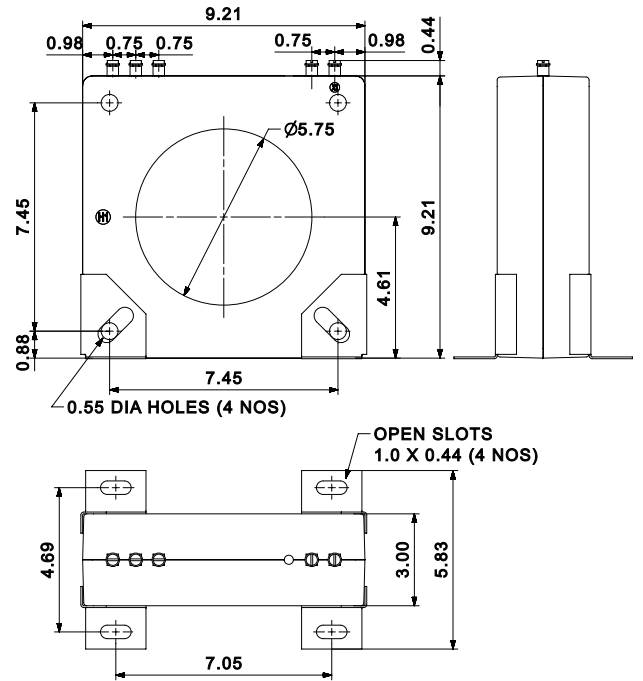
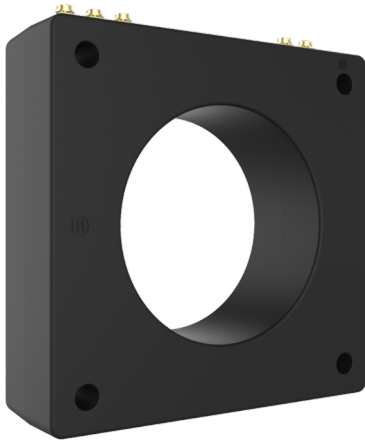


Omega 30 - 135ASHT



*All the mentioned dimensions are in inches

Omega 30 - 135AMR



*All the mentioned dimensions are in inches

Omega 30 - 135ASHT

Current Ratio	Relay Class	ANSI METERING CLASS @ 60HZ					SECONDARY WINDING RESISTANCE (OHMS @ 75 °C)	Cont. Thermal RF	
		B0.1	B0.2	B0.5	B0.9	B1.8		@30 °C	@55 °C
50:5	-	4.8	-	-	-	-	0.015	2.0	2.0
75:5	-	2.4	4.8	-	-	-	0.027	2.0	2.0
100:5	-	1.2	2.4	4.8	-	-	0.036	2.0	2.0
150:5	C10	0.6	1.2	2.4	4.8	-	0.059	2.0	2.0
200:5	C10	0.6	0.6	1.2	2.4	4.8	0.078	2.0	2.0
250:5	C20	0.6	0.6	1.2	2.4	2.4	0.113	2.0	2.0
300:5	C20	0.3	0.3	0.6	1.2	2.4	0.117	2.0	2.0
400:5	C20	0.3	0.3	0.3	0.6	1.2	0.156	2.0	2.0
500:5	C50	0.3	0.3	0.3	0.3	0.6	0.181	2.0	2.0
600:5	C50	0.3	0.3	0.3	0.3	0.6	0.217	2.0	2.0
750:5	C50	0.3	0.3	0.3	0.3	0.6	0.339	2.0	1.5
800:5	C50	0.3	0.3	0.3	0.3	0.6	0.362	2.0	1.5
1000:5	C100	0.3	0.3	0.3	0.3	0.3	0.452	1.5	1.33
1200:5	C100	0.3	0.3	0.3	0.3	0.3	0.543	1.5	1.33
1500:5	C100	0.3	0.3	0.3	0.3	0.3	0.678	1.5	1.0
1600:5	C100	0.3	0.3	0.3	0.3	0.3	0.694	1.5	1.0
2000:5	C100	0.3	0.3	0.3	0.3	0.3	0.867	1.33	1.0
2500:5	C200	0.3	0.3	0.3	0.3	0.3	1.084	1.0	0.8
3000:5	C200	0.3	0.3	0.3	0.3	0.3	1.301	1.0	0.8
3200:5	C200	0.3	0.3	0.3	0.3	0.3	1.279	1.0	0.8
3500:5	C200	0.3	0.3	0.3	0.3	0.3	1.399	1.0	0.8
4000:5	C200	0.3	0.3	0.3	0.3	0.3	1.598	1.0	0.6
5000:5	C200	0.3	0.3	0.3	0.3	0.3	2.459	1.0	0.6

Specification

- Frequency : 50-400 Hz.
- Insulation Level : 600 Volts. 10kV BIL. full wave
- WINDOW : 5.75"
- APROXIMATE WEIGHT : 18 lbs

CONNECTIONS :

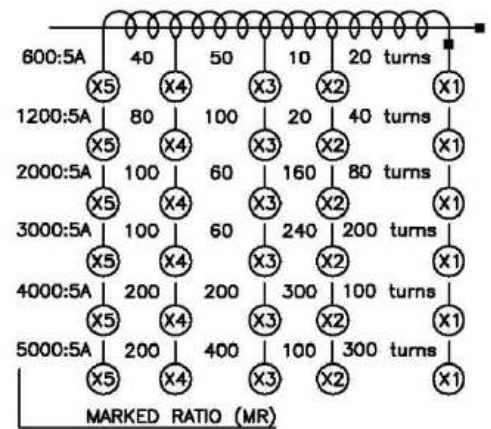
- Terminals are brass studs No. 8-32 UNC with one flat washer, lockwasher, and regular nut
- Multi-ratios available upon request
- Mounting kit (On Request)

Application

- Relaying & Metering

Omega 30 - 135AMR

Current Ratio	Relay Class	Cont. Thermal RF	
		@30 °C	@50 °C
600:5	C50	2.0	2.0
1200:5	C100	1.5	1.33
2000:5	C100	1.0	0.8
3000:5	C200	1.0	0.8
4000:5	C200	1.0	0.6
5000:5	C200	1.0	0.6



Specification

- Frequency : 50-400 Hz.
- Insulation Level : 600 Volts. 10kV BIL. full wave
- WINDOW : 5.75"
- APROXIMATE WEIGHT : 18 lbs

CONNECTIONS :

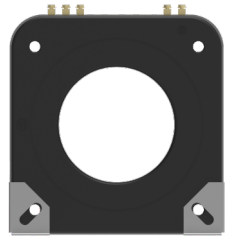
- Terminals are brass studs No. 10-32 UNF with one flat washer, lockwasher, and regular nut
- Mounting kit (On Request)

Application

- Relaying & Metering

Omega 30 - 135ASHT, 135AMR

Product Mounting Kit

Sr No	Model Name	Item Code	Actual Product
1	135,135 AMR	X35H-0A00-0001	

Sifam Tinsley Instrumentation Inc.

Address: 2105 Barrett Park Dr, Unit 105, Kennesaw, GA 30144

Tel.: 800-879-6171 | **E-mail:** info@sifamtinsley.com | **Web:** www.sifamtinsley.com
